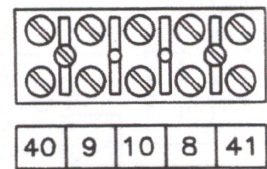
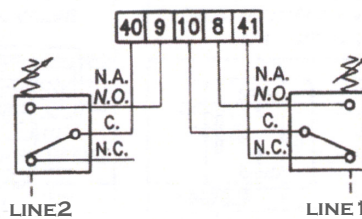
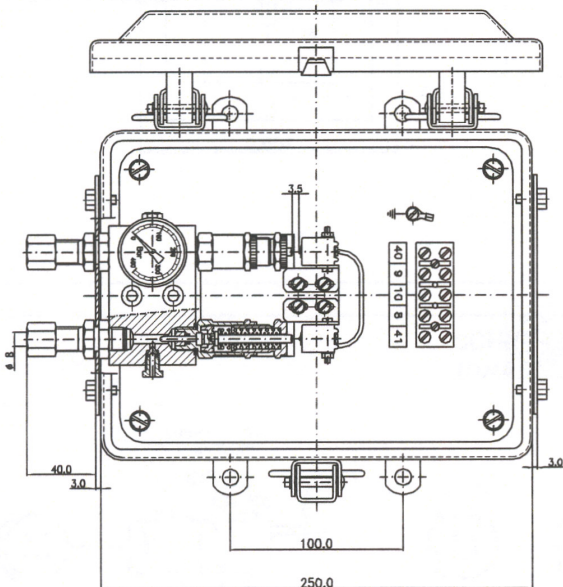
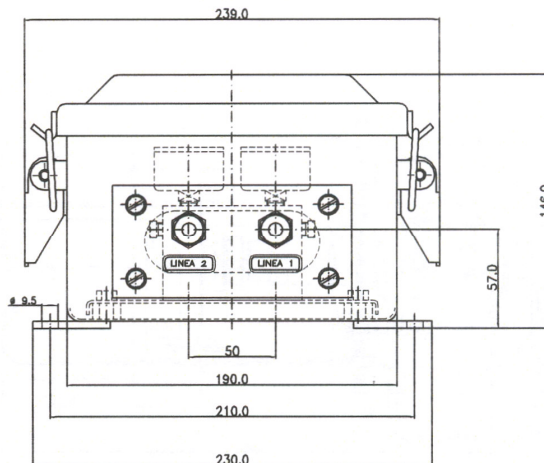
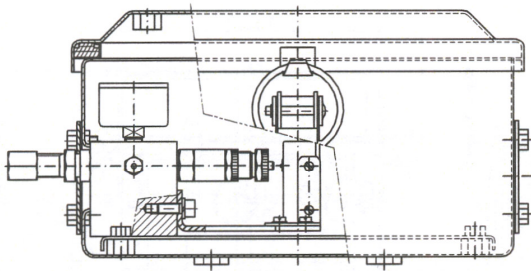


END OF LINE PRESSURE SWITCH Model 5054002

THE END OF LINE PRESSURE SWITCH IS USED TO INDICATE TO THE SYSTEM CONTROL EQUIPMENT THAT THE PRE-SET SYSTEM PRESSURE HAS BEEN ACHIEVED. THIS SIGNAL IS THEN USED TO ACTIVATE THE SYSTEM REVERSING VALVE ENSURING THAT A COMPLETE LUBRICATION CYCLE IS ACHIEVED. THE PRESSURE SWITCHES ARE FULLY ADJUSTABLE



R J Mellor & Co Ltd

1 Devonshire Grove, Sheffield, South Yorkshire, England, S17 3PG

Tele: +44 (0) 114 236 8666 Fax: +44(0) 114 236 3020

E-mail: sales@rjmellor.co.uk Web: www.rjmellor.co.uk

Specialist Lubrication
Engineers

The information contained in this data sheet is for guidance only and does not form part of any contract. The accuracy cannot be guaranteed as R J Mellor & Co Ltd. has an ongoing process of development and reserve the right to change the specification of their products without notice